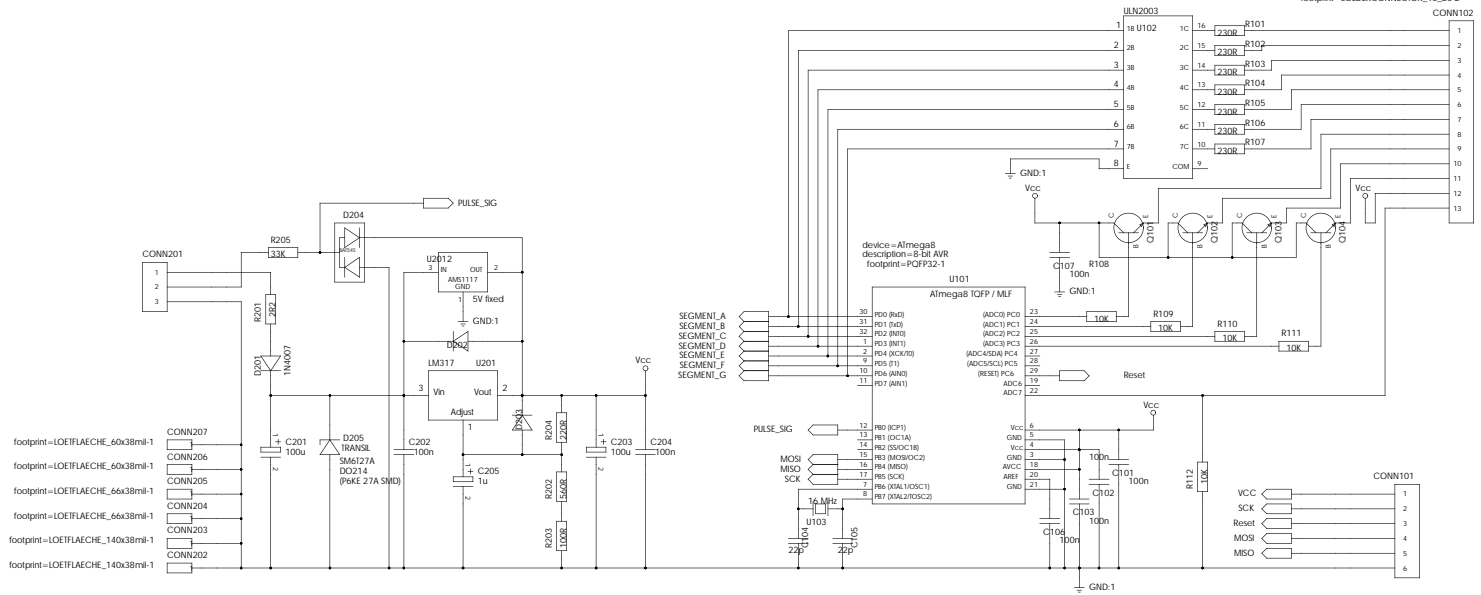


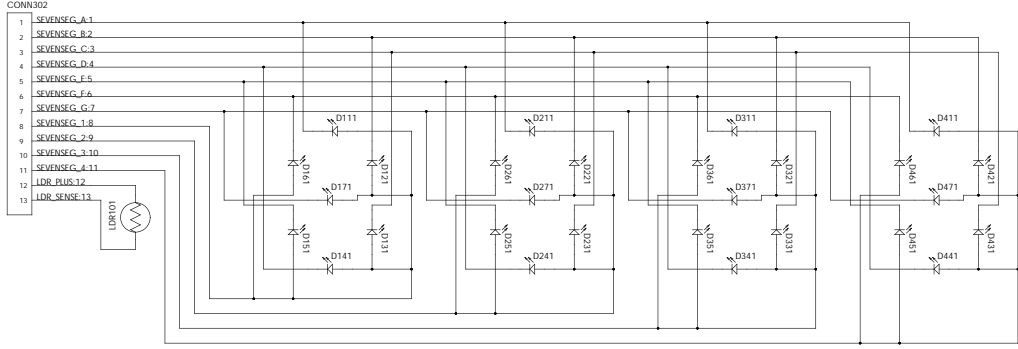
refdes	device	value	refdes	device	value
C101.	SMD-Kondensator 0603	100n	D351	SMD-LED 0603	
C102.	SMD-Kondensator 0603	100n	D361	SMD-LED 0603	
C103.	SMD-Kondensator 0603	100n	D371	SMD-LED 0603	
C104.	SMD-Kondensator 0603	22p	D411	SMD-LED 0603	
C105.	SMD-Kondensator 0603	22p	D421	SMD-LED 0603	
C106.	SMD-Kondensator 0603	100n	D431	SMD-LED 0603	
C107.	SMD-Kondensator 0603	100n	D441	SMD-LED 0603	
C201.	Elektolytcondensator	100u	D451	SMD-LED 0603	
C202.	SMD-Kondensator 0603	100n	D461	SMD-LED 0603	
C203.	SMD-Elektrolytkondensator	100u	D471	SMD-LED 0603	
C204.	SMD-Kondensator 0603	100n	LDR101	LDR (Photowiderstand)	
C205.	SMD-Kondensator 2012	1u	Q101.	SMD-Transistor BC817	BC817
CONN101	Pfostenleiste 2-reihig, 6-polig		Q102.	SMD-Transistor BC817	BC817
CONN201	PSS 254/3W		Q103.	SMD-Transistor BC817	BC817
D201	Gleichrichterdiode	1N4007	Q104.	SMD-Transistor BC817	BC817
D202	Schnelle Schaltodiode	1N4148	R101	SMD Widerstand 1206	230R
D203	Schnelle Schaltodiode	1N4148	R102	SMD Widerstand 1206	230R
D204	SMD-Doppeldiode	BAT54S	R103	SMD Widerstand 1206	230R
D205	Transil P6KE SMD	SM6T27A	R104	SMD Widerstand 1206	230R
D111	SMD-LED 0603		R105	SMD Widerstand 1206	230R
D121	SMD-LED 0603		R106	SMD Widerstand 1206	230R
D131	SMD-LED 0603		R107	SMD Widerstand 1206	230R
D141	SMD-LED 0603		R108	SMD Widerstand 0603	10K
D151	SMD-LED 0603		R109	SMD Widerstand 0603	10K
D161	SMD-LED 0603		R110	SMD Widerstand 0603	10K
D171	SMD-LED 0603		R111	SMD Widerstand 0603	10K
D211	SMD-LED 0603		R112	SMD Widerstand 0603	10K
D221	SMD-LED 0603		R201	Kohleschicht Widerstand 0,25W	2R2
D231	SMD-LED 0603		R202	SMD Widerstand 0603	560R
D241	SMD-LED 0603		R203	SMD Widerstand 0603	100R
D251	SMD-LED 0603		R204	SMD Widerstand 0603	220R
D261	SMD-LED 0603		R205	Kohleschicht Widerstand 0,25W	33K
D271	SMD-LED 0603		U101	Atmega8 / Atmega8A	
D311	SMD-LED 0603		U102	ULN2003A SMD	
D321	SMD-LED 0603		U103.	Quarz 16MHz	16MHz
D331	SMD-LED 0603		U201	LM317 TO-220	
D341	SMD-LED 0603		U2012	AMS1117 5V	

Es wird

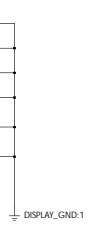
entweder ein LM317 mit den Bauteilen C205, D203, R202, R203 und R204  
oder ein AMS1117-5V installiert.



footprint=SOLDERCONNECTOR\_13-1



- footprint=LOEFLAECHE\_60x38mil-1
- footprint=LOEFLAECHE\_60x38mil-1
- footprint=LOEFLAECHE\_60x38mil-1
- footprint=LOEFLAECHE\_66x38mil-1
- footprint=LOEFLAECHE\_140x38mil-1
- footprint=LOEFLAECHE\_140x38mil-1



- footprint=LOEFLAECHE\_60x38mil-1
- footprint=LOEFLAECHE\_60x38mil-1
- footprint=LOEFLAECHE\_66x38mil-1
- footprint=LOEFLAECHE\_66x38mil-1
- footprint=LOEFLAECHE\_140x38mil-1
- footprint=LOEFLAECHE\_140x38mil-1